

YB7700 Series

product guide

features

- 2 models ... YB7722 & YB7722XL
- 22 ton (19.9 mt) capacity 360° on outriggers @ 8.5 ft. (2.6m) radius
- 15 ton (13.6 mt) deck carrying capacity
- 15 ton (13.6 mt) on rubber capacity
- YB7722 – 43 ft. (13.1m) 3-section boom
- YB7722XL – 67 ft. (20.43m) 5-section boom
- 17 ft. (5.18m) offsettable swingaway extension
- 130 bhp (97.0 kW) Cummins QSB4.5L (Tier III) diesel engine



contents

Features	2
Specifications	3
YB7722 / XL	
Dimensions	5
YB7722	
Working Range	6
Load Chart	7
YB7722XL	
Range Diagram	8
Load Chart	9
YB7722/XL (metric)	
Range Diagram	10
DIN/ISO Load Chart	11
Range Diagram	12
DIN/ISO Load Chart	13

features

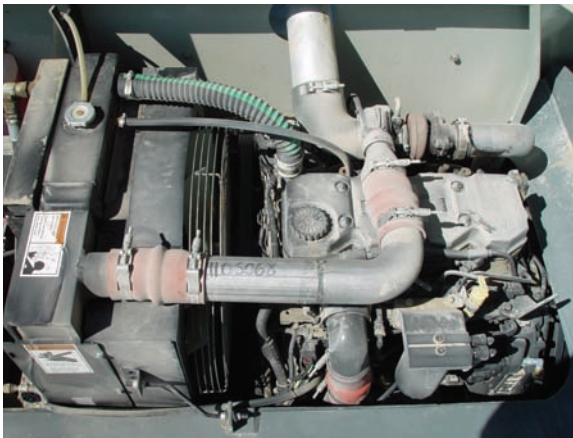
2



- Two position beam – jack style outriggers
- All beams or jacks can be extended or retracted at the same time



- Standard:** Open air cab shell w/overhead safety glass
- Optional:** Closed cab with hinged door, heater, defroster, and glass



- Standard:**
 - Water-cooled Cummins QSB4.5L Turbo-charged diesel engine rated @ 130 BHP (97.0kW)
 - Variable displacement piston pump w/piggyback gear pump.



- 43 ft. (13.1m) 3-section main boom or 67 ft. (20.42m) 5-section main boom
- 4-position pivoting boom head for low head room clearance
- Quick reeve boom head and hookblock



- Standard:** 4-wheel drive and 4-wheel steer and crab steer with electronic self-alignment
- Standard:** 17.5 X 25 bias ply tires

YB7700 Series

specifications

3

Superstructure

Boom

YB7722: 19 ft. 6 in. – 43 ft. 0 in. (5.9m – 13.1m) three-section full power boom.

Maximum tip height: 51 ft. 8 in. (15.7m)

YB7722XL: 19 ft. 6 in. – 67 ft. 0 in. (5.9m – 20.4m) five-section full power boom.

Maximum tip height: 75 ft. 0 in. (22.8m)

Boom angle indicator mounted on both sides of base section.

*Boom Extension

17 ft. (5.18m) fixed boom extension, offsettable to 30° and 60° via pivoting boom nose.

Maximum tip height: 92 ft. 0 in. (28.0m)

Boom Nose

2 sheave, 4-position (0°, + 30°, + 60°, + 80°) pivoting boom nose for minimizing head space requirements. Lowers head height 23.9 in. (0.60m) when nose is pivoted fully forward.

Boom Elevation

Two double acting hydraulic cylinders with integral holding valve.

Elevation: 0° to 80°

Anti-Two Block Device

Standard anti-two block device, when activated, provides an audible warning to the crane operator and disengages all crane functions whose movement can cause two-blocking.

Load Indicator (wireless LSI)

A simple effective and easy to use load indicating system used in conjunction with the anti-two block system to assist the operator in efficient operation of the unit within the limits of the load chart. The display panel displays the hook load and warns the operator when a preset load capacity is exceeded. The warning is by a flashing light on the display panel. In conjunction with the load display panel (receiver), there is a wireless transmitter and load sensing pin attached to the boom head that transmits the hook load to the display panel.

*Rated Capacity Limiter (wireless RCL)

Similar to the Load Indicator, but stops the telescope out and boom lift down function when a load limit is exceeded. Uses a similar display panel with the addition of displaying boom angle and boom length read outs on the panel.

*Load Moment Indicator (hardwired LMI)

Digital display of boom angle, boom length, boom radius, capacity, and allows for operator input to set the limits based on load chart. Displays color coded light bar and audible alarm with function cutout if load exceeds entered parameters.

Swing

Ball bearing swing circle with 360° continuous rotation.

Planetary swing.

Maximum speed: 2.5 rpm

Hydraulic System

Variable displacement piston pump and piggyback gear pump.

Combined flow: 74.0 gpm (280.0 Lpm)

Maximum system operating pressure: 3600 p.s.i.

Six section valve bank, chassis mounted, operated via dash mounted, pilot pressure hydraulic joysticks.

Return line filter with full flow by-pass protection and service indicator.

60.0 gallon (227 L) hydraulic reservoir with sight level gauge and steel side plating to guard against side impact damage.

Hoist Specifications

Piston motor drive with spring applied / hyd. released brake. Two speed power up and down.

Maximum Single Line Pull: 13,800 lb. (6260kg)

Maximum Single Line Speed: 320 fpm (97.5m/min)

Maximum Permissible Single Line Pull: 11,000 lb (4990kg)
(5/8" [16.0mm] XIPS)

Rope Length (Std): 375 ft. (114.3m)

*Denotes optional equipment

YB7700 Series

GROVE

specifications

4

Carrier

Frame

High strength alloy steel constructed with integral outrigger housings; front and rear tie-down lugs. 60 ft.² carrydeck size with 30,000 lb (13 608kg) deck only carrying capacity & 20,000 lb (9 072kg) combined with boom load. Deck coated with anti-skid treatment.

Outriggers

2- stage hydraulic telescoping beam with vertical jack at the four corners provides extended and down and retracted and down lifting capacities. Integral holding valves on both beam and jack.

Outrigger Controls

Three switch operation mounted on dash panel. One 3- position rocker switch to select all beams / jacks, left beams / jacks only, or right beams / jacks only. Separate 4- way toggle switch to activate beams out / in and jacks down / up. Level bubble indicator located inside operators compartment.

Outrigger pad size: 11.5 in. x 11.5 in. (29.2cmx29.2cm)

*Independent outrigger controls available as an option.

Std. Engine

Cummins QSB 4.5L turbo-charged diesel rated @ 130 bhp (97kW) @ 2500 rpm with engine block heater.

Operators Control Station

Frame mounted, open air style control station with cab shell includes all crane functions, driving controls, and overhead safety glass. Other standard equipment includes a durable weather resistant seat with seat belt, hourmeter, sight level bubble, and fire extinguisher. The dash panel includes engine oil pressure gauge, engine water temperature gauge, fuel gauge, transmission low oil and high temperature warning lights, low battery warning light, and brake system low pressure warning light. The LSI (load indicator) receiver is mounted to the top of the dash.

*Operators Control Station Enclosed

Includes the standard cab shell with the addition of front, right and rear glass. Hinged full door with sliding glass.

Front windshield wiper, heater and defroster are included.

Fuel Tank Capacity

50 gallon (189 L) all steel construction with steel side plate to guard against side impact. Fuel gauge located on dash panel in operators station.

Electrical System

One 12V maintenance free battery, 820CCA @ 0°. 63 amp alternator.

Drive

4 x 4 – Front and rear axle drive with planetary hubs and limited slip differential.

Steer

Standard: 3-steering modes:

Front 2-wheel, 4-wheel coordinated, and crab steer w/ electronic self alignment. Rotary switch select on dash panel.

Transmission

Clark powershift 4-speeds forward and reverse. Stalk mounted shifter on left side of steering column.

Tires

17.5 x 25 Bias (std.)

*17.5 R 25 radial

Brakes

Hydraulic actuated internal wet-disc service brakes acting on all four wheels. A dash mounted toggle switch activates the dry disc parking brake on the transmission output yoke with a dash warning light.

Suspension

Front: Rigid mounted to frame.

Rear: Provides 3.5° oscillation for use on semi-rough terrain.

Axle lock-out switch, on dash panel, to engage / disengage the axle lock-out. Axle lock-out must be engaged (locked) whenever picking on rubber and when traveling in the crab steer mode. A warning light indicates when the axle lock-outs are engaged.

Lights

Recessed mounted, includes head, tail, rear work, stop, and turn signals.

Maximum Speed

19.5 MPH (31.3km/h)

Gradeability**

63%....no load

38%....30,000lb (13 608kg) load

G.V.W.

YB7722: 41,270 lb. (18 720kg)

YB7722XL: 43,000 lb (19 504kg)

Miscellaneous Standard Equipment

Two sheaves, "Quick Reeve" style 22T (19.9mt) hookblock

Back-up alarm

Dual rearview mirrors

Outrigger motion alarm

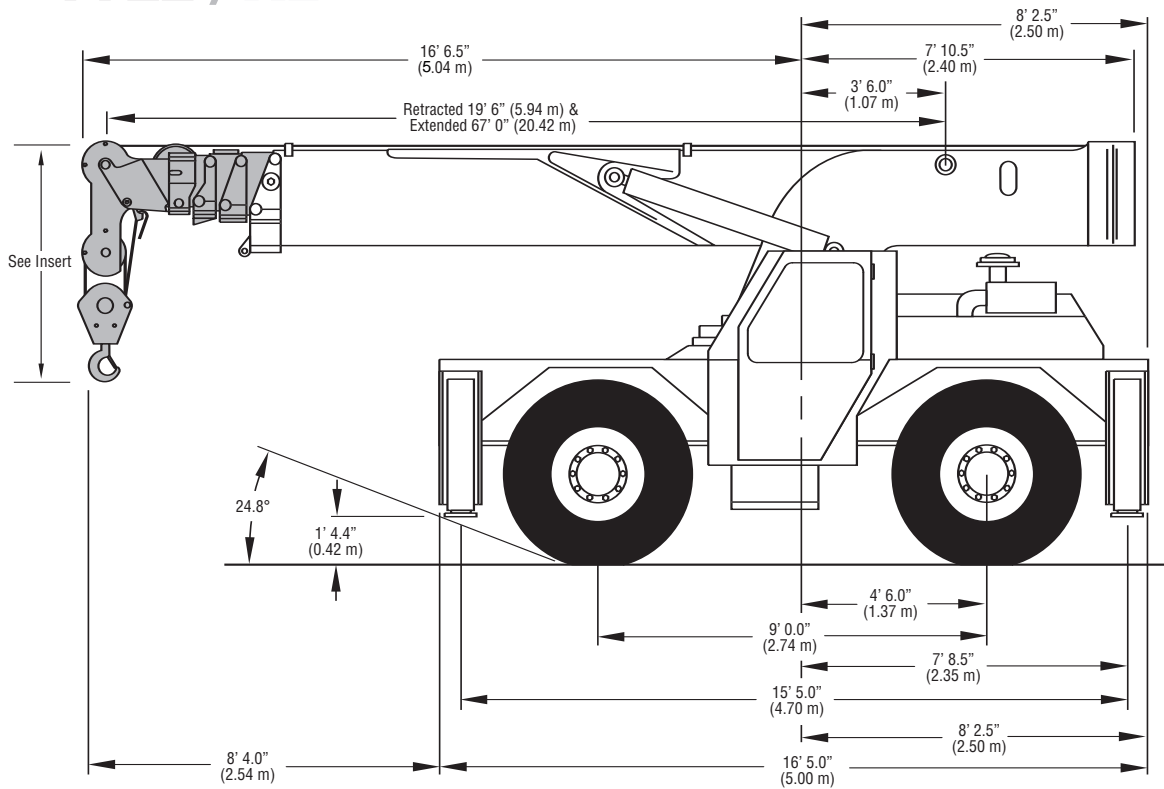
Lifting and tie down lugs

*Denotes optional equipment

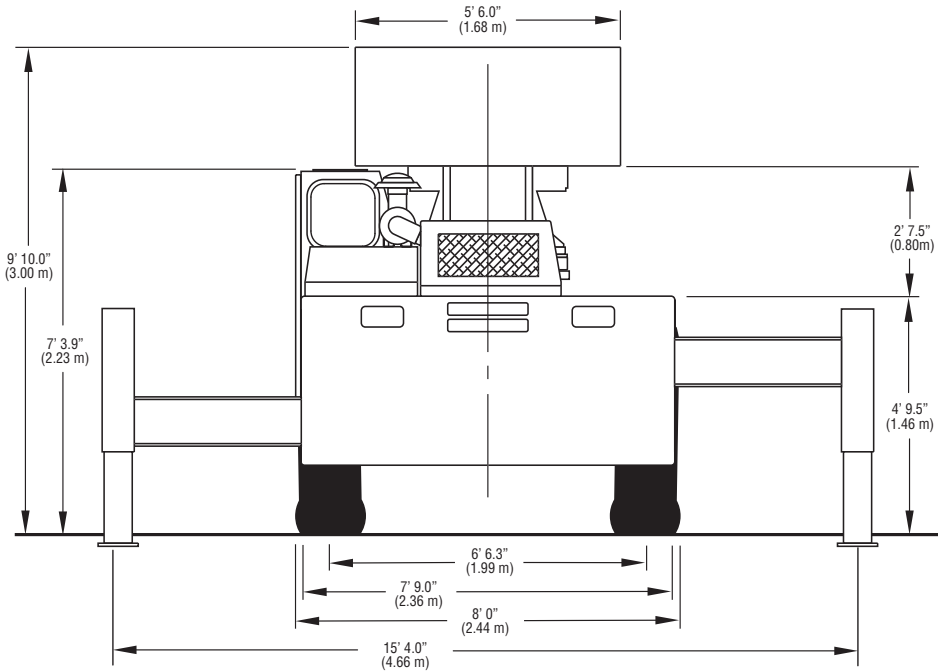
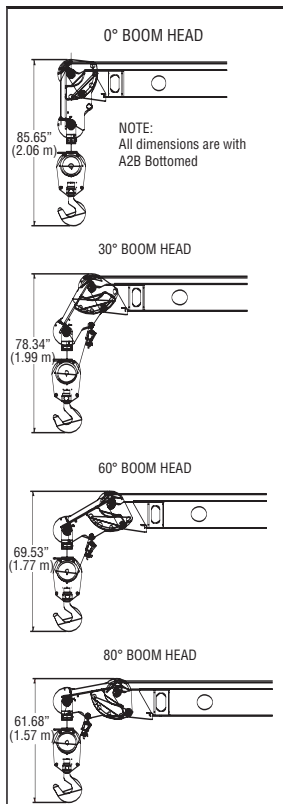
**Theoretical

dimensions

YB7722 / XL



5

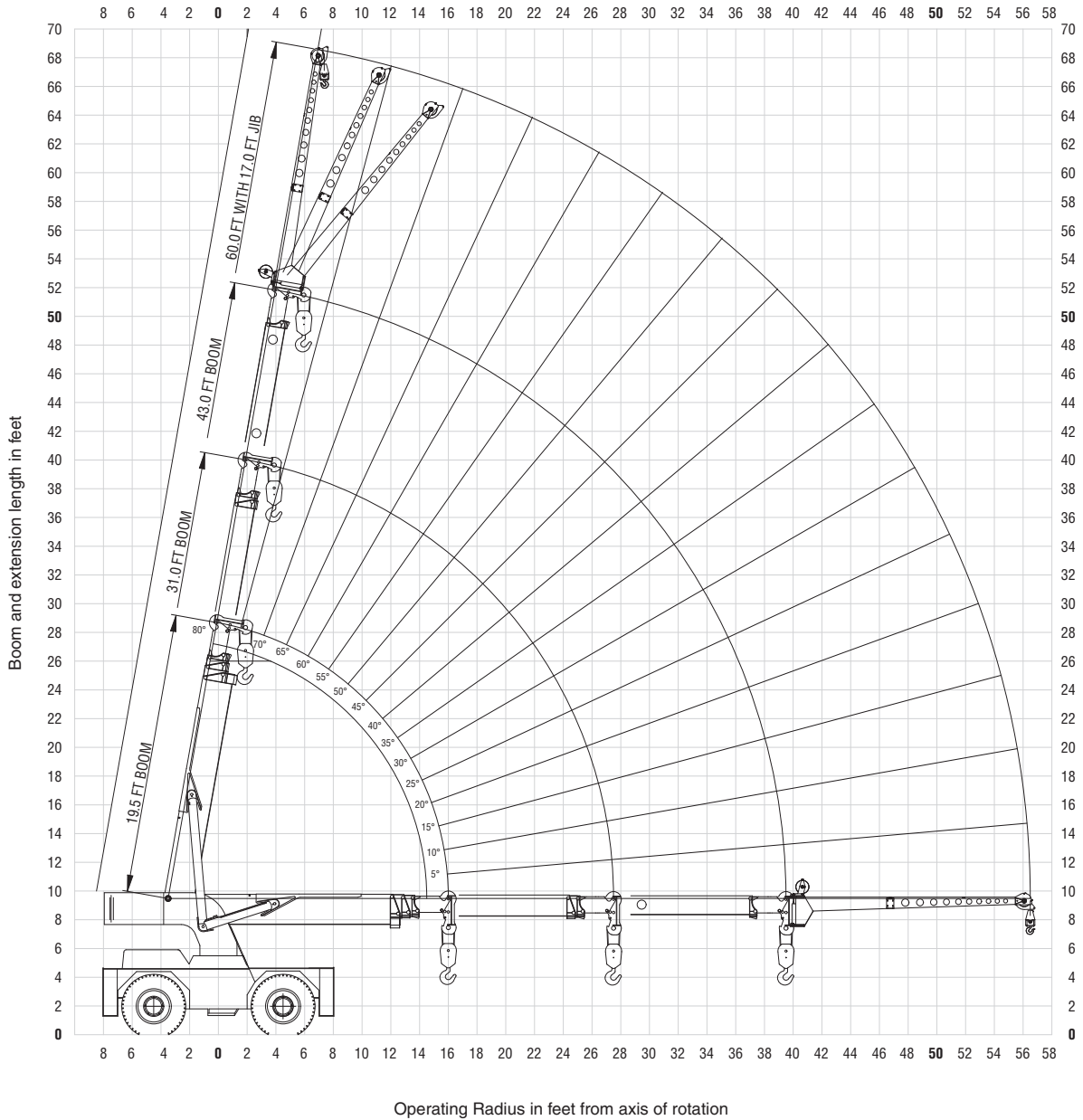


YB7700 Series

range diagram

YB7722 (3-section boom)

6



YB7700 Series

THIS CHART IS ONLY A GUIDE AND SHOULD NOT BE USED TO OPERATE THE CRANE. The individual crane's load chart, operating instructions and other instructional plates must be read and understood prior to operating the crane.

GROVE

load chart

YB7722 (3-section boom)

7

MAIN BOOM LOAD RATINGS ON OUTRIGGERS Extended and Down 360° or Retracted and Down Front/Rear								MAIN BOOM LOAD RATINGS ON OUTRIGGERS Retracted and Down 360°															
Radius (ft)	Boom Angle (deg)	19.5 ft Boom		20.5-30 ft Boom		31 ft Boom		32-42 ft Boom		43 ft Boom		Radius (ft)	Boom Angle (deg)	19.5 ft Boom		20.5-30 ft Boom		31 ft Boom		32-42 ft Boom		43 ft Boom	
		Rated Load (lbs)	Rated Load (lbs)	Rated Load (lbs)	Rated Load (lbs)	Rated Load (lbs)	Rated Load (lbs)	Rated Load (lbs)	Rated Load (lbs)	Rated Load (lbs)	Rated Load (lbs)			Rated Load (lbs)	Rated Load (lbs)	Rated Load (lbs)	Rated Load (lbs)	Rated Load (lbs)	Rated Load (lbs)	Rated Load (lbs)	Rated Load (lbs)	Rated Load (lbs)	Rated Load (lbs)
8.5	58	44000	26500	71	26500	25400	76	25400	8.5	58	31000	26500	71	26500	25400	76	25400						
10	52	40000	31600	68	31600	28000	74	28000	10	52	24000	22300	68	22300	22000	74	22000						
12	44	33800	30500	64	30500	25000	72	25000	12	44	17200	16300	64	16300	16300	72	17000						
14	33	28500	28500	59	28500	22600	69	22600	14	33	13300	12500	59	12500	12500	69	13600						
16	0	24900	24900	55	25700	20000	66	20000	16	0	10200	9800	55	9800	9800	66	11100						
18	-	-	22800	50	22800	17900	63	17900	18	-	-	7900	50	7900	7900	63	9100						
20	-	-	20200	45	20200	16100	60	16100	20	-	-	6500	45	6500	6500	60	7500						
22	-	-	17800	39	17800	14600	56	14600	22	-	-	5300	39	5300	5300	56	6200						
24	-	-	-	31	15360	13300	53	13300	24	-	-	4300	31	4300	4300	53	5200						
26	-	-	13250	22	13250	12300	49	12300	26	-	-	3500	22	3500	3500	49	4400						
27.5	-	-	11600	0	11600	11600	47	11600	27.5	-	-	2900	0	2900	2900	47	3900						
30	-	-	-	-	-	9900	42	10500	30	-	-	-	-	-	2600	42	3200						
32	-	-	-	-	-	8800	37	9800	32	-	-	-	-	-	2300	37	2700						
34	-	-	-	-	-	7800	32	8700	34	-	-	-	-	-	1900	32	2300						
36	-	-	-	-	-	7100	26	7800	36	-	-	-	-	-	1750	26	1900						
39.5	-	-	-	-	-	6400	0	6400	39.5	-	-	-	-	-	1400	0	1400						

Radius (ft)	MAIN BOOM ON RUBBER	
	Any Boom Length	
	Front Rating (lbs)	360° Rating (lbs)
6	30000	21000
8	28000	17900
10	25000	15000
12	19600	12400
14	15600	9900
16	12700	7700
18	10300	6300
20	8300	4900
22	6800	3900
24	5800	3100
26	4900	2500
28	4200	2100
30	3700	1800
32	3300	1550
34	3000	1300
36	2700	1100
38	2500	950
40	2200	800

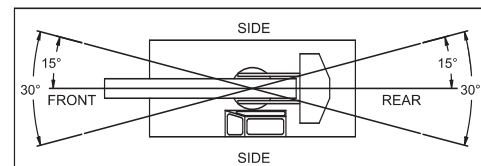
Main Boom Angle (deg)	17 FT JIB CAP. ON EXT. OUTRIGGERS (lbs)		
	Jib Offset Angle		
	0 deg	15 deg	30 deg
	Any Boom Length	Any Boom Length	Any Boom Length
80	-	5000	3500
75	7500	4400	3100
70	6100	3900	2800
65	5000	3500	2550
60	4300	3150	2350
55	3800	2850	2200
50	3400	2600	2100
45	3050	2400	2000
40	2800	2250	1950
35	2600	2150	1900
30	2400	2080	1830
25	2300	2050	-
20	2200	2000	-
15	2100	1950	-
10	2050	-	-
5	2020	-	-
0	2000	-	-

SHADED AREAS ARE GOVERNED BY STRUCTURAL STRENGTH, DO NOT RELY ON TIPPING.

OPERATION OF THIS EQUIPMENT IN EXCESS OF RATING CHARTS AND DISREGARD OF INSTRUCTIONS IS DANGEROUS AND VOIDS WARRANTY.

MAXIMUM PERMISSIBLE SINGLE LINE PULL = 11,000 lbs

HOIST ROPE: 5/8" diameter
6 x 19 XIPS IWRC BRIGHT
Min. req'd breaking strength = 38,500 lbs



- The rated loads are the maximum lifting capacities as determined by operating radius, boom length, and boom angle. The operating radius is the horizontal distance from a projection of the axis of rotation to the supporting surface, before loading, to the center of vertical hoist line or tackle with load applied.
- Rated load columns for discrete boom lengths apply when actual boom length is within +/- 1.0 ft of discrete length. For other boom lengths, use appropriate intermediate boom length column.
- For operating radius not shown, use load rating of next larger radius.
- The rated loads shown on outriggers do not exceed 85% of actual tipping. The rated loads shown on rubber do not exceed 75% of actual tipping. These ratings are based on freely suspended loads with the crane leveled, standing on a firm, uniform supporting surface. Practical working loads depend on supporting surface, operating radius and other factors affecting stability. Hazardous surroundings, climatic conditions, experience of personnel and proper handling must all be taken into account by the operator.
- The weights of all load handling devices such as hooks, hook blocks, slings, etc., except the hoist rope, shall be considered as part of the load. See reduction chart.
- Ratings on outriggers are for either outriggers fully extended and down or fully retracted and down. Ratings for outriggers fully retracted and down will apply for any intermediate outrigger setting.
- Ratings on rubber depend on tire capacity, condition of tires and proper inflation pressure (110 psi). Loads on rubber may be transported at a maximum speed of 2.5 mph on a smooth hard level surface with boom retracted to the shortest length possible and centered over front. For 360° ratings on rubber, rear axle oscillation locks must be in place. Do not use jib with crane on rubber.
- The maximum combined total boom and deck load is 20,000 lbs. The maximum deck load only is 30,000 lbs.
- Do not induce any external side loads to boom or jib.

	RATING REDUCTIONS FOR LOAD HANDLING DEVICES INSTALLED (lbs)	
	FROM MAIN BOOM	FROM JIB
MAIN BLOCK	400	N/A
HOOK & BALL	100	100
JIB STOWED	0	N/A
JIB DEPLOYED	500	0

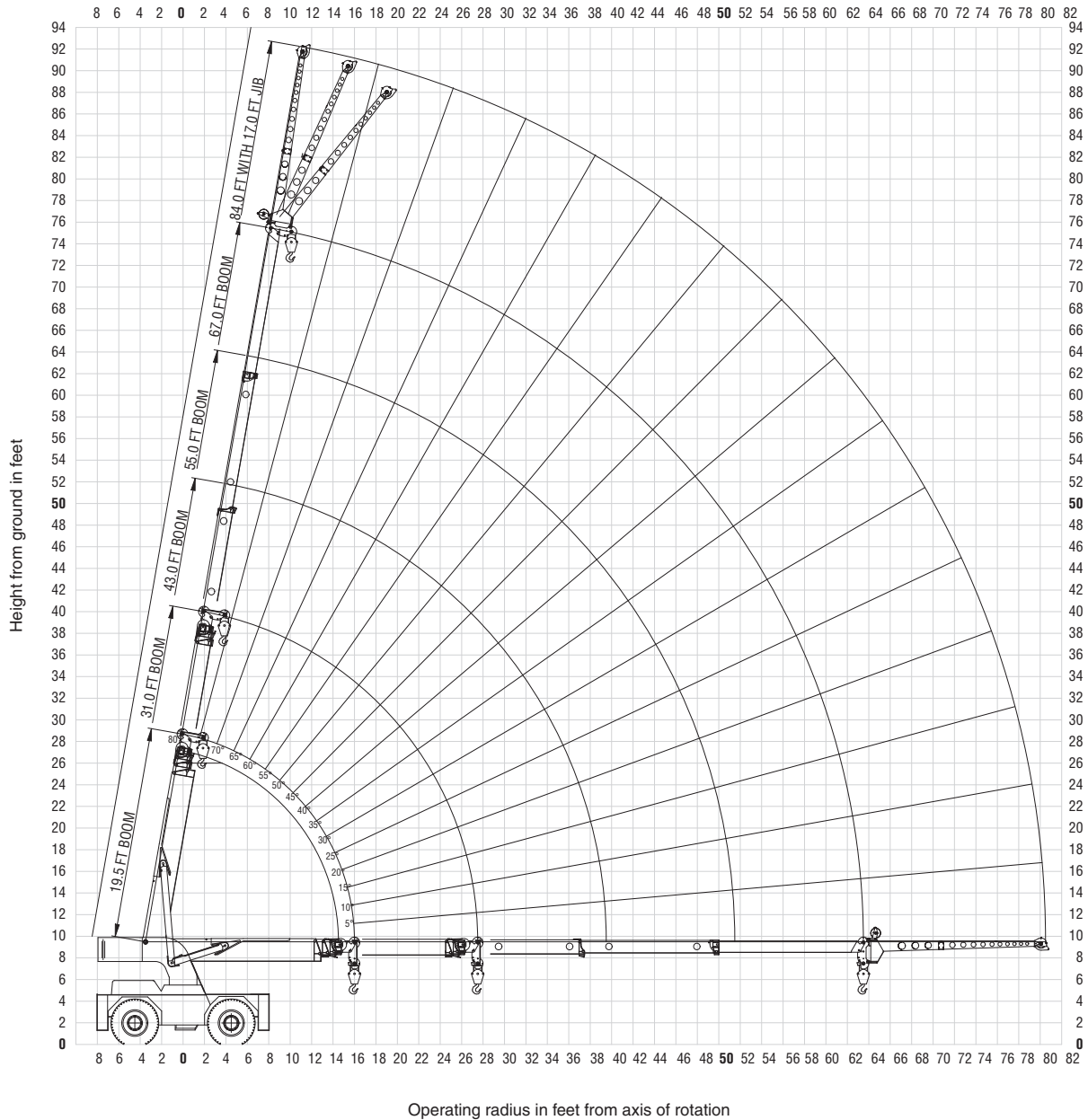
THIS CHART IS ONLY A GUIDE AND SHOULD NOT BE USED TO OPERATE THE CRANE. The individual crane's load chart, operating instructions and other instructional plates must be read and understood prior to operating the crane.

YB7700 Series

range diagram

YB7722 XL (5-section boom)

8



YB7700 Series

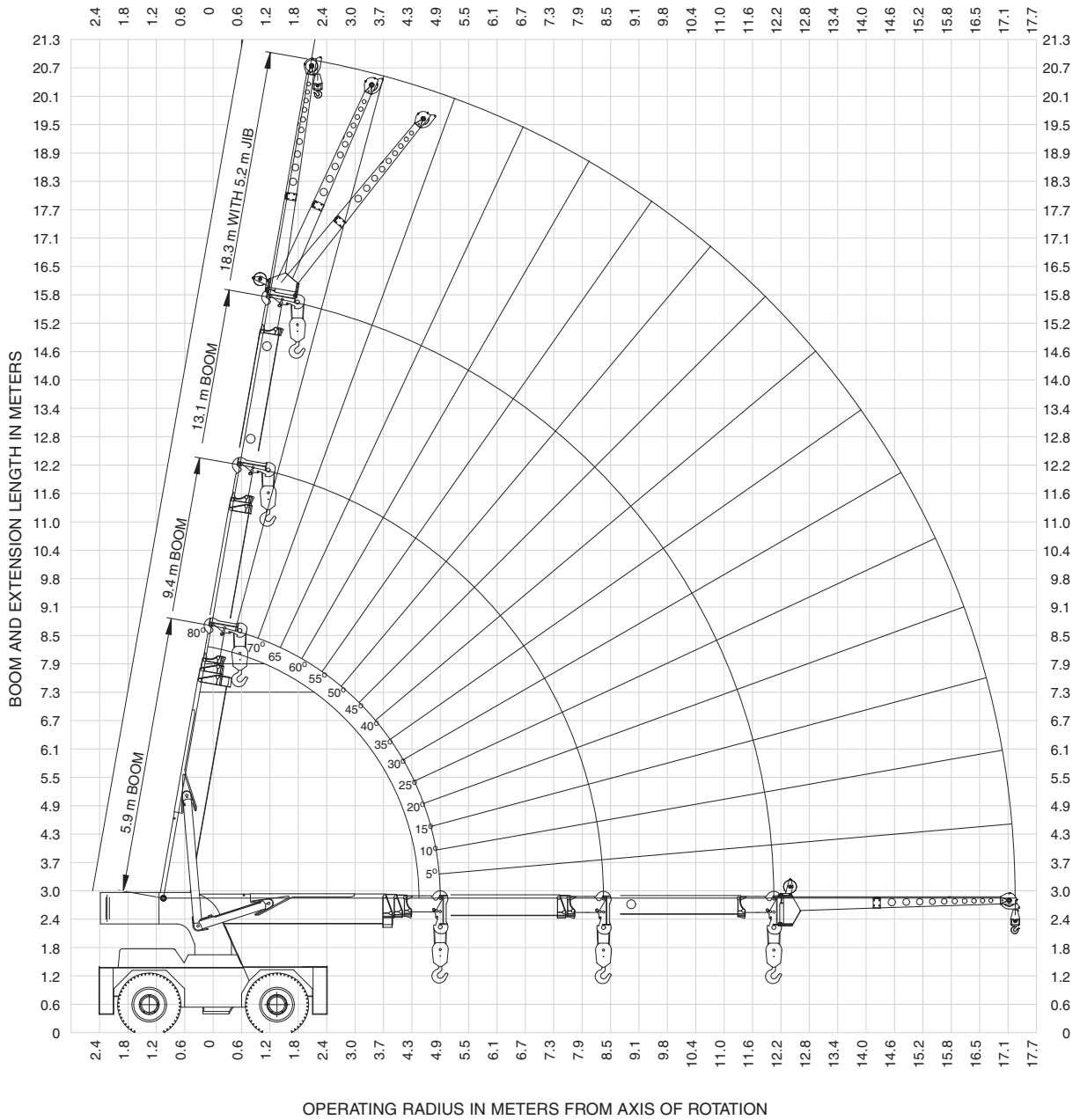
THIS CHART IS ONLY A GUIDE AND SHOULD NOT BE USED TO OPERATE THE CRANE. The individual crane's load chart, operating instructions and other instructional plates must be read and understood prior to operating the crane.

GROVE

range diagram

YB7722 (3-section boom)

10



YB7700 Series

THIS CHART IS ONLY A GUIDE AND SHOULD NOT BE USED TO OPERATE THE CRANE. The individual crane's load chart, operating instructions and other instructional plates must be read and understood prior to operating the crane.

GROVE

DIN/ISO load chart

YB7722 (3-section boom)

MAIN BOOM LOAD RATINGS ON OUTRIGGERS Extended and Down 360° or Retracted and Down Front/Rear								
Radius (m)	5.9 m Boom		6.2-9.1 m Boom		9.4 m Boom		13.1 m Boom	
	Boom Angle (deg)	Rated Load (kg)	Rated Load (kg)	Boom Angle (deg)	Rated Load (kg)	Rated Load (kg)	Boom Angle (deg)	Rated Load (kg)
2.6	58	19960	14330	71	14330	12700	76	12700
3.0	52	18140	14330	68	14330	12700	74	12700
3.7	44	15350	13830	64	13830	11340	72	11340
4.3	33	12930	12930	59	12930	10270	69	10270
4.9	0	10740	10740	55	11660	9090	66	9090
5.5	-	-	10340	50	10340	8110	63	8110
6.1	-	-	8900	45	8900	7300	60	7300
6.7	-	-	7710	39	7710	6620	56	6620
7.3	-	-	6550	31	6550	6050	53	6050
7.9	-	-	5520	22	5520	5520	49	5560
8.4	-	-	4790	0	4790	4790	47	5150
9.1	-	-	-	-	-	4050	42	4630
9.8	-	-	-	-	-	3580	37	4050
10.4	-	-	-	-	-	3160	32	3560
11.0	-	-	-	-	-	2880	26	3180
12.0	-	-	-	-	-	2580	0	2580

MAIN BOOM LOAD RATINGS ON OUTRIGGERS Retracted and Down 360°								
Radius (m)	5.9 m Boom		6.2-9.1 m Boom		9.4 m Boom		13.1 m Boom	
	Boom Angle (deg)	Rated Load (kg)	Rated Load (kg)	Boom Angle (deg)	Rated Load (kg)	Rated Load (kg)	Boom Angle (deg)	Rated Load (kg)
2.6	58	13070	13070	71	13270	12700	76	12700
3.0	52	10110	9360	68	9360	9020	74	9020
3.7	44	7190	6800	64	6800	6800	72	7100
4.3	33	5520	5210	59	5210	5210	69	5630
4.9	0	4230	4050	55	4050	4050	66	4630
5.5	-	-	3210	50	3210	3210	63	3730
6.1	-	-	2620	45	2620	2620	60	3060
6.7	-	-	2100	39	2100	2100	56	2490
7.3	-	-	1710	31	1710	1710	53	2060
7.9	-	-	1340	22	1340	1340	49	1720
8.4	-	-	1080	0	1080	1080	47	1510
9.1	-	-	-	-	-	950	42	1200
9.8	-	-	-	-	-	820	37	1000
10.4	-	-	-	-	-	670	32	820
11.0	-	-	-	-	-	590	26	660
12.0	-	-	-	-	-	450	0	450

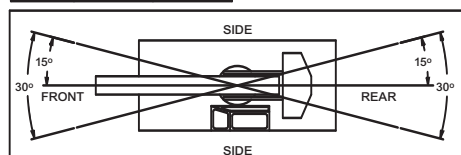
MAIN BOOM ON RUBBER		
Radius (m)	Any Boom Length	
	Front Rating (kg)	360° Rating (kg)
1.8	13610	9520
2.4	12700	8120
3.0	11340	6800
3.7	8890	5470
4.3	6990	4340
4.9	5570	3320
5.5	4520	2680
6.1	3620	2070
6.7	2940	1620
7.3	2480	1260
7.9	2070	980
8.5	1760	810
9.1	1530	670
9.8	1350	550
10.4	1210	440
11.0	1080	350
11.6	960	280
12.0	900	210

**SHADED AREAS ARE GOVERNED BY
STRUCTURAL STRENGTH, DO NOT RELY
ON TIPPING.**

**OPERATION OF THIS EQUIPMENT IN EXCESS
OF RATING CHARTS AND DISREGARD OF
INSTRUCTIONS IS DANGEROUS AND VOIDS
WARRANTY.**

**MAXIMUM PERMISSIBLE SINGLE LINE PULL
= 4990 kg**

**WIRE ROPE: 16 mm dia.
6 x 19 XXIPS IWRC BRIGHT
Min. req'd breaking strength = 188.4 kN**



RATING REDUCTIONS FOR LOAD HANDLING DEVICES INSTALLED (kg)		
	FROM MAIN BOOM	FROM JIB
MAIN BLOCK	180	N/A
HOOK & BALL	50	50
JIB STOWED	0	N/A
JIB DEPLOYED	230	0

5.2 m JIB CAP. ON EXT. OUTRIGGERS (kg)			
Main Boom Angle (deg)	Jib Offset Angle		
	0 deg	15 deg	30 deg
	Any Boom Length	Any Boom Length	Any Boom Length
80	-	2270	1590
75	3400	2000	1410
70	2770	1770	1270
65	2270	1590	1160
60	1950	1430	1070
55	1720	1290	1000
50	1540	1180	950
45	1380	1090	910
40	1270	1020	880
35	1180	980	860
30	1090	940	830
25	1040	930	-
20	1000	910	-
15	950	880	-
10	930	-	-
5	920	-	-
0	910	-	-

- 1) The rated loads are the maximum lifting capacities as determined by operating radius, boom length, and boom angle. The operating radius is the horizontal distance from a projection of the axis of rotation to the supporting surface, before loading, to the center of vertical hoist line or tackle with load applied.
- 2) Rated load columns for discrete boom lengths apply when actual boom length is within +/- 0.3 m of discrete length. For other boom lengths, use appropriate intermediate boom length column.
- 3) For operating radius not shown, use load rating of next larger radius.
- 4) The rated loads shown on outriggers do not exceed 80% of actual tipping. The rated loads shown on rubber do not exceed 75% of actual tipping. These ratings are based on freely suspended loads with the crane leveled, standing on a firm, uniform supporting surface. Practical working loads depend on supporting surface, operating radius and other factors affecting stability. Hazardous surroundings, climatic conditions, experience of personnel and proper handling must all be taken into account by the operator.
- 5) The weights of all load handling devices such as hooks, hook blocks, slings, etc., except the hoist rope, shall be considered as part of the load. See reduction chart.
- 6) Ratings on outriggers are for either outriggers fully extended and down or fully retracted and down. Ratings for outriggers fully retracted and down will apply for any intermediate outrigger setting.
- 7) Ratings on rubber depend on tire capacity, condition of tires and proper inflation pressure (7.6 bar). Loads on rubber may be transported at a maximum speed of 1.4 km/h on a smooth hard level surface with boom retracted to the shortest length possible and centered over front. For 360° ratings on rubber, rear axle oscillation locks must be in place. Do not use jib with crane on rubber.
- 8) The maximum combined total boom and deck load is 9070 kg. The maximum deck load only is 13610 kg.
- 9) Do not induce any external side loads to boom or jib.

11

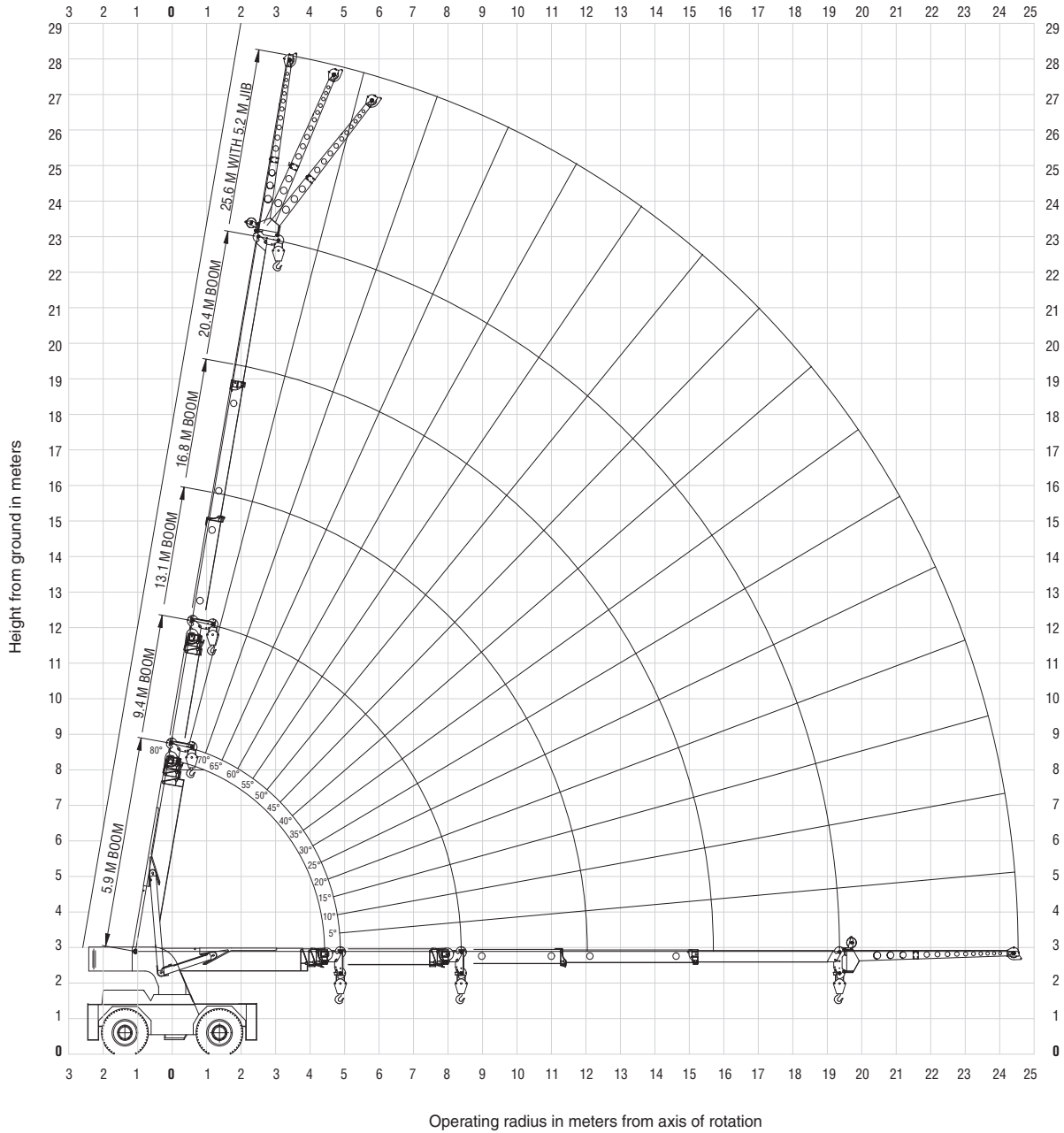
YB7700 Series

THIS CHART IS ONLY A GUIDE AND SHOULD NOT BE USED TO OPERATE THE CRANE. The individual crane's load chart, operating instructions and other instructional plates must be read and understood prior to operating the crane.

range diagram

YB7722XL (5-section boom)

12



YB7700 Series

THIS CHART IS ONLY A GUIDE AND SHOULD NOT BE USED TO OPERATE THE CRANE. The individual crane's load chart, operating instructions and other instructional plates must be read and understood prior to operating the crane.

GROVE

Regional Headquarters

Americas

Manitowoc, Wisconsin, USA

Tel: +1 920 684 6621

Fax: +1 920 683 6278

Shady Grove, Pennsylvania, USA

Tel: +1 717 597 8121

Fax: +1 717 597 4062

Regional Offices

Americas

Brazil

Alphaville

Tel: +55 11 3103 0200

Fax: +55 11 4688 2013

Mexico

Monterrey

Tel: +52 81 8124 0128

Fax: +52 81 8124 0129

Europe, Middle East, Africa

Algeria

Hydra

Tel: +21 3 21 48 1173

Fax: +21 3 21 48 1454

Czech Republic

Netvorice

Tel: +420 317 78 9313

Fax: +420 317 78 9314

France

Baudemont

Tel: +33 385 28 2589

Fax: +33 385 28 0430

Cergy

Tel: +33 130 31 3150

Fax: +33 130 38 6085

Decines

Tel: +33 472 81 5000

Fax: +33 472 81 5010

Germany

Langenfeld

Tel: +49 21 73 8909-0

Fax: +49 21 73 8909 30

Hungary

Budapest

Tel: +36 13 39 8622

Fax: +36 13 39 8622

Italy

Parabiago

Tel: +390 331 49 3311

Fax: +390 331 49 3330

Europe, Middle East, Africa

Ecully, France

Tel: +33 472 18 2020

Fax: +33 472 18 2000

Netherlands

Breda

Tel: +31 76 578 3999

Fax: +31 76 578 3978

Poland

Warsaw

Tel: +48 22 843 3824

Fax: +48 22 843 3471

Portugal

Alfena

Tel: +351 229 69 8840

Fax: +351 229 69 8848

Lisbon

Tel: +351 212 109 340

Fax: +351 212 109 349

Russia

Moscow

Tel: +7 495 641 2359

Fax: +7 495 641 2358

U.A.E.

Dubai

Tel: +971 4 3381 861

Fax: +971 4 3382 343

U. K.

Middlesex

Tel: +44 1 895 43 0053

Fax: +44 1 895 45 9500

Sunderland

Tel: +44 191 522 2000

Fax: +44 191 522 2052

Asia – Pacific

Australia

Brisbane

38 Suscatand Street

Rocklea Queensland 4106

Tel: +617 3274 5879

Fax: +617 3274 6558

Melbourne

1/46 Venture Drive

Sunshine West VIC 3020

Tel: +(03) 9336 1322

Fax: +(03) 9336 1300

Sydney

142 Magowar Road

Girraween, NSW 2145

Tel: +61 02 9896 4433

Fax: +61 02 9896 3122

Asia – Pacific

Shanghai, China

Tel: +86 21 51113579

Fax: +86 21 51113578

Singapore

Tel: +65 6264 1188

Fax: +65 6862 4142

China

Beijing

Tel: +86 10 58674761

Fax: +86 10 58674760

Xi'an

Tel: +86 29 87891465

Fax: +86 29 87884504

Korea

Seoul

Tel: +82 2 3439 0400

Fax: +82 2 3439 0405

Philippines

Makati City

Tel: +63 2 844 9437

Fax: +63 2 844 4712

Factories

Brazil

Alphaville

China

Zhangjiagang

France

Charlieu

La Clayette

Moulins

Germany

Wilhelmshaven

India

Calcutta

Pune

Italy

Niella Tanaro

Portugal

Baltar

Fânzeres

Slovakia

Saris

U.S.A.

Manitowoc

Port Washington

Shady Grove



Constant improvement and engineering progress make it necessary that we reserve the right to make specification, equipment and price changes without notice. Illustrations shown may include optional equipment and accessories, and may not include all standard equipment.